

# door hardware

alpro®

*Commitment to  
Excellence*



*Commitment to  
Excellence*



**Concealed Overhead  
Door Closers - P3 - 4**



**Round Mortise  
Cylinder Deadlocks  
- P5 - 6**



**Europrofile Deadlocks  
- P7**



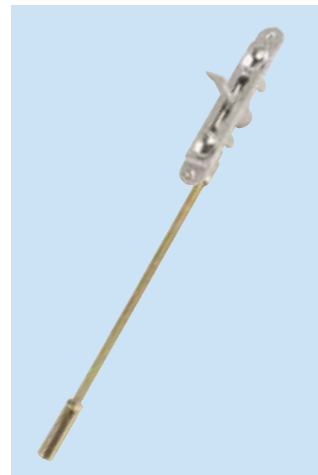
**Round Mortise  
Cylinder Deadlatches  
- P11**



**Europrofile Cylinder  
Deadlatches - P9**



**Round Mortise Locks  
- P10**



**Flush Bolts - P10**



**Armoured Strike - P10**



**Europrofile Cylinders  
- P11**



**Faceplates - P12 - 13**



**Paddle Handles - P14**



**Lever Handles - P16**

### Features

- 90° hold open facility available at no extra cost
- Standard spindle length - 12mm, also available in 17/22/28mm
- Replacement items available for retrofit installations and maintenance
- Quality products at acceptable prices
- Nationwide maintenance service available

### Functionality

The overhead door closer is designed to be concealed within the transom header bar of the door. It provides controlled closing of a single or double action, aluminium door or doors. Features built into the closer include dual closing speeds to allow flexibility in closing; three levels of spring strength and 90° hold open facility. The closer comes complete with its own fixing pack and comprehensive fixing instructions. Various arms and spindle lengths are available on request.

### Side Loading Option (Includes 51A2 Arm)

Code	Description
<b>DDA-NHO-T1-U</b>	DDA Compliant - no hold open
<b>510100T1-U</b>	Light duty (size 1) - no hold open
<b>510200T1-U</b>	Medium duty (size 2) - no hold open
<b>510300T1-U</b>	Heavy duty (size 3) - no hold open
<b>510900T1-U</b>	Variable strength - no hold open
<b>DDA-HO-T1-U</b>	DDA Compliant - 90° hold open
<b>510190T1-U</b>	Light duty (size 1) - 90° hold open
<b>510290T1-U</b>	Medium duty (size 2) - 90° hold open
<b>510390T1-U</b>	Heavy duty (size 3) - 90° hold open
<b>510990T1-U</b>	<b>Variable strength - 90° hold open*</b> (See note on page 5)
<b>510400DT1-U</b>	Dummy Closer

### End Loading Option (Includes 51A3 Arm)

Code	Description
<b>DDA-NHO-T2-U</b>	DDA Compliant - no hold open
<b>510100T2-U</b>	Light duty (size 1) - no hold open
<b>510200T2-U</b>	Medium duty (size 2) - no hold open
<b>510300T2-U</b>	Heavy duty (size 3) - no hold open
<b>510900T2-U</b>	Variable strength - no hold open
<b>DDA-HO-T2-U</b>	DDA Compliant - 90° hold open
<b>510190T2-U</b>	Light duty (size 1) - 90° hold open
<b>510290T2-U</b>	Medium duty (size 2) - 90° hold open
<b>510390T2-U</b>	Heavy duty (size 3) - 90° hold open
<b>510990T2-U</b>	<b>Variable strength - 90° hold open*</b> (See note on page 5)
<b>510400DT2-U</b>	Dummy Closer

### Short Side Loading Option (Includes 51A1 Arm)

Code	Description
<b>DDA-NHO-T3-U</b>	DDA Compliant - no hold open
<b>510100T3-U</b>	Light duty (size 1) - no hold open
<b>510200T3-U</b>	Medium duty (size 2) - no hold open
<b>510300T3-U</b>	Heavy duty (size 3) - no hold open
<b>510900T3-U</b>	Variable strength - no hold open
<b>DDA-HO-T3-U</b>	DDA Compliant - 90° hold open
<b>510190T3-U</b>	Light duty (size 1) - 90° hold open
<b>510290T3-U</b>	Medium duty (size 2) - 90° hold open
<b>510390T3-U</b>	Heavy duty (size 3) - 90° hold open
<b>510990T3-U</b>	<b>Variable strength - 90° hold open*</b> (See note on page 5)
<b>510400DT3-U</b>	Dummy Closer



### 51A1

**Special Top Arm Assembly**  
Short Side Load  
For use with 65mm pivot and 51A5 'F' bracket



### 51A2

**Side Load Top Arm Assembly**  
70mm pivot



- NB** - Trade pack quantity for all closer types is 4
- 17mm Extended Spindle, change code to 'X-U' i.e 510190T1X-U
  - 22mm Extended Spindle, change code to 'X-U-22' i.e 510190T1X-U-22
  - 28mm Extended Spindle, change code to 'X-U-28' i.e 510190T1X-U-28

# closers

## Overhead Door Closer Accessories



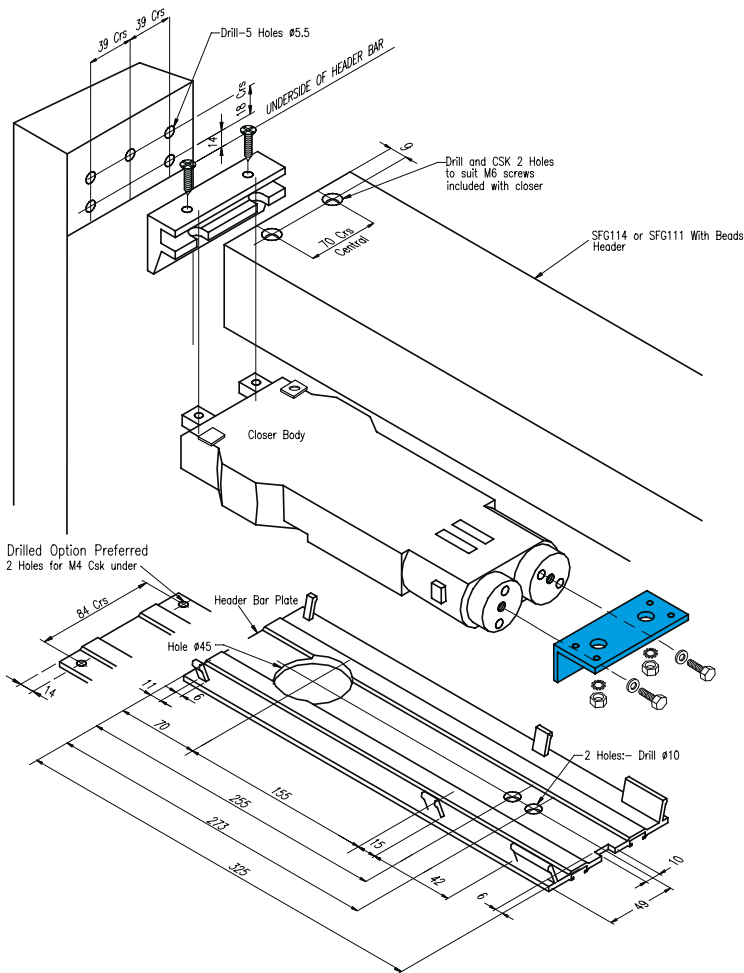
Dimensions: 293mm x 90mm  
 Concealed thickness: 37mm  
 Maximum door width: Light spring - under 750mm (size 1)  
 Medium spring - 751mm to 950mm (size 2)  
 Heavy spring - 951mm to 1150mm (size 3)  
 Maximum door weight: 100kg - Standard pivot, 120kg - Heavy duty pivot  
 Maximum door height: 2540mm  
 Closing speed: Dual; initial closing speed is factory preset. Final closing speed is full adjustable after installation  
 Lubrication: Stable hydraulic fluid suitable for most climatic conditions and constant lubrication  
 Function: Built in positive back stop and optional 90° hold open position

### Accessories

Code	Description
51A1	Special top arm assembly - short side load
51A2	Side load top arm assembly
51A3	End load top assembly - use for round nose stiles
51A4	Standard bottom pivot assembly
51A5	"F" bracket, closing jamb/header bar bracket including fixings
51A10	Heavy duty bottom pivot assembly - maximum weight 120kg

**\* VARIABLE - If replacing a standard closer with variable strength, the bracket highlighted below will need to be changed. This is supplied with the variable strength closer.**

### Preparation Detail



### 51A3 End Load Top Assembly Use for Roundnose Stiles



### 51A4 Bottom Pivot Assembly

### 51A10 Heavy Duty Bottom Pivot Assembly also available



### 51A5 'F' Bracket with Screws (Set A)



### Features

- Range of backsets available
- Locks accept standard 1<sup>5</sup>/<sub>32</sub>" mortice key or thumbturn cylinder
- Faceplate finish SAA
- Stainless steel laminated lockbolts

### Functionality

Deadlocks are available in both bar and hookbolt versions. The locks provide security deadlocking for a variety of aluminium doors including swinging and sliding applications.

The hookbolt is constructed from stainless steel and is a 5 ply laminated construction, with the centre core case hardened, complete with hardened roll pin to resist hacksaw attack.

All locks are designed to accept standard round mortise cylinders or thumbturns.

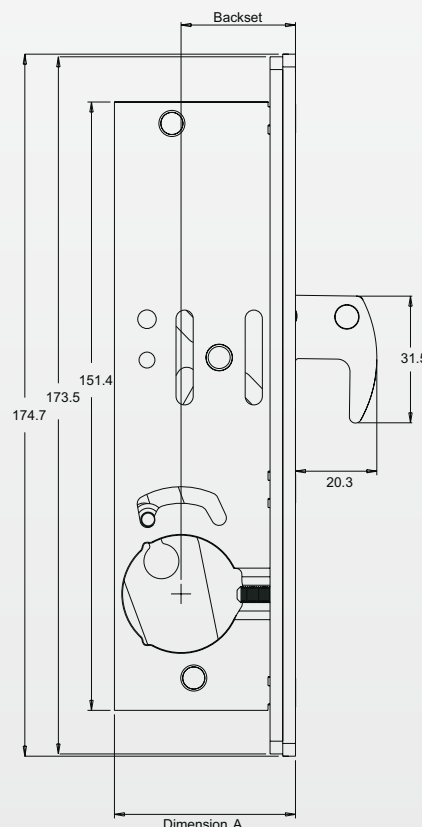


52182 Lock Type

Code	Description	For use with	Finish
5218201	Narrow stile short throw barbolt deadlock to suit mortice cylinder 7/8" backset		N/A
5218202	Narrow stile short throw barbolt deadlock to suit mortice cylinder 31/32" backset		N/A
5218203	Narrow stile short throw barbolt deadlock to suit mortice cylinder 11/8" backset		N/A
5218204	Narrow stile short throw barbolt deadlock to suit mortice cylinder 11/2" backset		N/A
5218205	Narrow stile hookbolt deadlock to suit mortice cylinder 7/8" backset		N/A
5218206	Narrow stile hookbolt deadlock to suit mortice cylinder 31/32" backset		N/A
5218207	Narrow stile hookbolt deadlock to suit mortice cylinder 11/8" backset		N/A
5218208	Narrow stile hookbolt deadlock to suit mortice cylinder 11/2" backset		N/A
52FP1821	Flat faceplate - width 25mm	1820	SAA
52FP1822	Radius faceplate - width 25mm	1820	SAA
52FP1823	Radius faceplate with weather strip - width 25mm	1820	SAA

For details of the faceplate variants available, see page 14.

Imperial Backset	Metric Equivalent	Dimension A
7/8"	22.2mm	39.9mm
31/32"	24.6mm	41.4mm
11/8"	28.6mm	45.2mm
11/2"	38.1mm	57.1mm



### Features

- Range of backsets available
- Locks accept standard 1<sup>5</sup>/<sub>32</sub>" mortice key or thumbturn cylinder
- Faceplate finish SAA
- Stainless steel laminated lockbolts

### Functionality

Deadlocks are available in both bar and hookbolt versions. The locks provide security deadlocking for a variety of aluminium doors including swinging and sliding applications.

The hookbolt is constructed from stainless steel and is a 5 ply laminated construction, with the centre core case hardened, complete with hardened roll pin to resist hacksaw attack.

All locks are designed to accept standard round mortice cylinders or thumbturns.

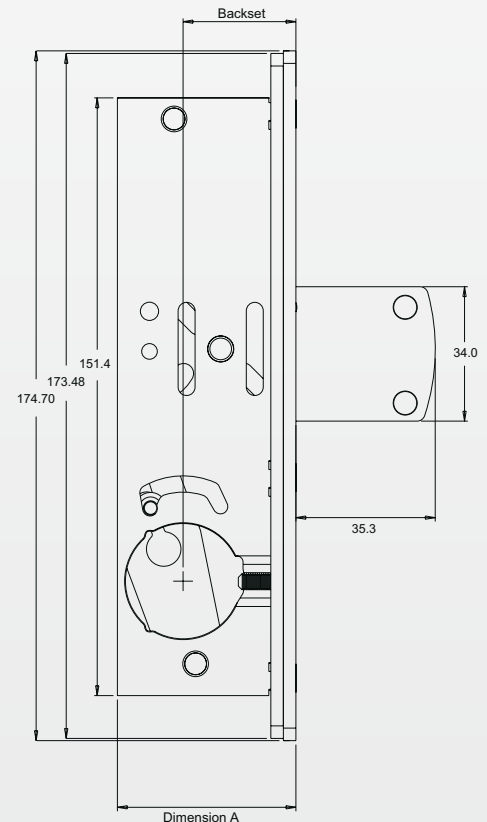


52185 Lock Type

Code	Description	For use with	Finish
5218501	Narrow stile long throw barbolt deadlock to suit mortice cylinder 7/8" backset		N/A
5218502	Narrow stile long throw barbolt deadlock to suit mortice cylinder 31/32" backset		N/A
5218503	Narrow stile long throw barbolt deadlock to suit mortice cylinder 1 1/8" backset		N/A
5218504	Narrow stile long throw barbolt deadlock to suit mortice cylinder 1 1/2" backset		N/A
52FP1851	Flat faceplate - width 25mm	1850	SAA
52FP1852	Radius faceplate - width 25mm	1850	SAA
52FP1853	Radius faceplate with weather strip - width 25mm	1850	SAA

For details of the faceplate variants available, see page 13.

Imperial Backset	Metric Equivalent	Dimension A
7/8"	22.2mm	39.9mm
31/32"	24.6mm	41.4mm
1 1/8"	28.6mm	45.2mm
1 1/2"	38.1mm	57.1mm



### Features

- Range of backsets available
- Faceplate finish SAA
- Stainless steel laminated lockbolts
- Locks accept standard 17mm Europrofile cylinders and thumbturn

### Functionality

Deadlocks are available in both bar and hookbolt versions. The locks provide security deadlocking for a variety of aluminium doors including swinging and sliding applications.

The hookbolt is constructed from stainless steel and is a 5 ply laminated construction, with the centre core case hardened, complete with hardened roll pin to resist hacksaw attack.

All locks are designed to accept standard profile cylinders or thumbturns.

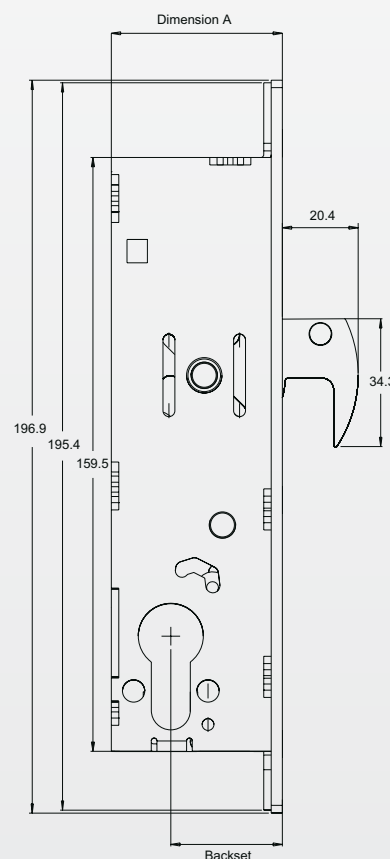
Code	Description	For use with	Finish
<b>5222025</b>	Narrow stile hookbolt lock to suit 17mm Europrofile cylinder - 25mm backset		N/A
<b>5222025R</b>	Narrow stile hookbolt lock 25mm backset RIV nut fixing		N/A
<b>5222030</b>	Narrow stile hookbolt lock to suit 17mm Europrofile cylinder - 30mm backset		N/A
<b>5222030R</b>	Narrow stile hookbolt lock 30mm backset RIV nut fixing		N/A
<b>5222040</b>	Narrow stile hookbolt lock to suit 17mm Europrofile cylinder - 40mm backset		N/A
<b>5222125</b>	Narrow stile barbolt lock to suit 17mm Europrofile cylinder - 25mm backset		N/A
<b>5222130</b>	Narrow stile barbolt lock to suit 17mm Europrofile cylinder - 30mm backset		N/A
<b>52FP221</b>	Flat faceplate - bar bolt - width 25mm	221	SAA
<b>52FP222</b>	Flat faceplate - hook lock only - width 25mm	220	SAA
<b>52FP225</b>	Radius faceplate - hook lock only - width 25mm	220	SAA
<b>52FP228</b>	Radius faceplate with weather strip - width 25mm	220	SAA

For details of the faceplate variants available, see page 13.

Metric Backset	Dimension A
25mm	41mm
30mm	46mm
40mm	56mm



**52220 Lock Type**



### Features

- Range of backsets available
- Locks accept standard 1<sup>5</sup>/<sub>32</sub>" mortise key or thumbturn cylinder
- Faceplate finish SAA
- Industry standard ANSI cut outs
- Europrofile or round mortise cylinder options
- Latch hold back facility
- Latches compatible for use with electric strikes

### Functionality

Deadlatches offer flexible control of situations and can be used in conjunction with electric strikes to provide the added option of remote access control. Designed to operate on doors with 3mm door gaps, the deadlatches can also be operated with the 459 paddle handle (cam plug required).

Code	Description	For use with	Finish
5245101	Deadlatch to suit round mortise cylinder 1 <sup>1</sup> / <sub>8</sub> " backset (RH)		N/A
5245102	Deadlatch to suit round mortise cylinder 1 <sup>1</sup> / <sub>8</sub> " backset (LH)		N/A
5245103	Deadlatch to suit round mortise cylinder 3 <sup>1</sup> / <sub>32</sub> " backset (RH)		N/A
5245104	Deadlatch to suit round mortise cylinder 3 <sup>1</sup> / <sub>32</sub> " backset (LH)		N/A
52FP4511	Flat faceplate - width 25mm	4570/4510	SAA
52FP4512	Radius faceplate - width 25mm	4570/4510	SAA
52FP4513	Radius faceplate with weather strip - width 25mm	4570/4510	SAA
5235	Strike plate		N/A
5245-FIX-KIT	Deadlatch fixing kit - width 25mm	4570/4510	N/A
5245ESP	Extended strike plate	4570/4510	N/A

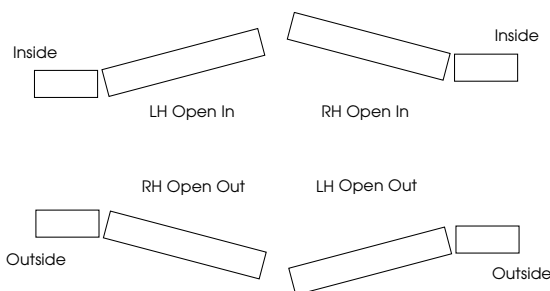
For details of the faceplate variants available, see page 14.

Imperial Backset	Metric Equivalent	Dimension A
3 <sup>1</sup> / <sub>32</sub> "	24.6mm	41.4mm
1 <sup>1</sup> / <sub>8</sub> "	28.6mm	45.2mm

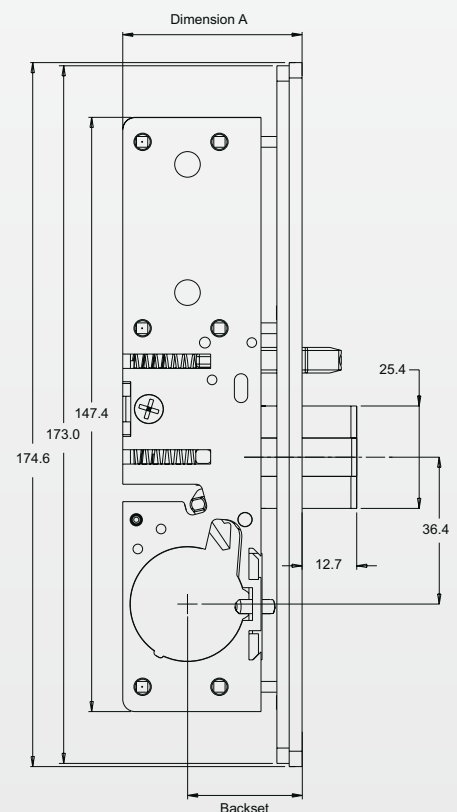
### Handing of doors for locks

The description of swinging door operation always viewed from the outside.

LH: Door hinges on left      RH: Door hinges on right



524510 Lock Type





### Features

- Range of backsets available
- Faceplate finish SAA
- Locks accept standard 17mm Europrofile cylinders and thumbturns
- Industry standard ANSI cut outs
- Europrofile or round mortice cylinder options
- Latch hold back facility
- Latches compatible for use with electric strikes

### Functionality

Deadlatches offer flexible control of situations and can be used in conjunction with electric strikes to provide the added option of remote access control. Designed to operate on doors with 3mm door gaps.

Code	Description	For use with	Finish
5245701	Deadlatch to suit 17mm Europrofile cylinder 25mm backset (RH)		N/A
5245702	Deadlatch to suit 17mm Europrofile cylinder 25mm backset (LH)		N/A
5245703	Deadlatch to suit 17mm Europrofile cylinder 28mm backset (RH)		N/A
5245704	Deadlatch to suit 17mm Europrofile cylinder 28mm backset (LH)		N/A
5245705	Deadlatch to suit 17mm Europrofile cylinder 38mm backset (RH)		N/A
5245706	Deadlatch to suit 17mm Europrofile cylinder 38mm backset (LH)		N/A
52FP4511	Flat faceplate - width 25mm	4510/4570	SAA
52FP4512	Radius faceplate - width 25mm	4510/4570	SAA
52FP4513	Radius faceplate with weather strip - width 25mm	4510/4570	SAA
5235	Strike plate		N/A
5245-FIX-KIT	Deadlatch fixing kit - width 25mm	4570/4510	N/A
5245ESP	Extended strike plate	4570/4510	N/A

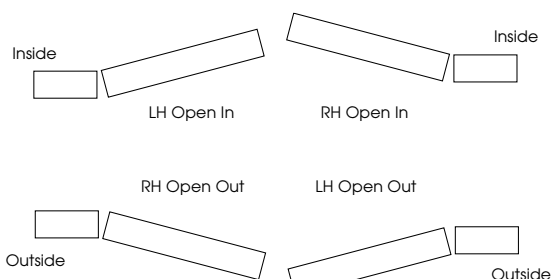
For details of the faceplate variants available, see page 14.

Metric Backset	Dimension A
25mm	41.4mm
28mm	45.2mm
38mm	57.1mm

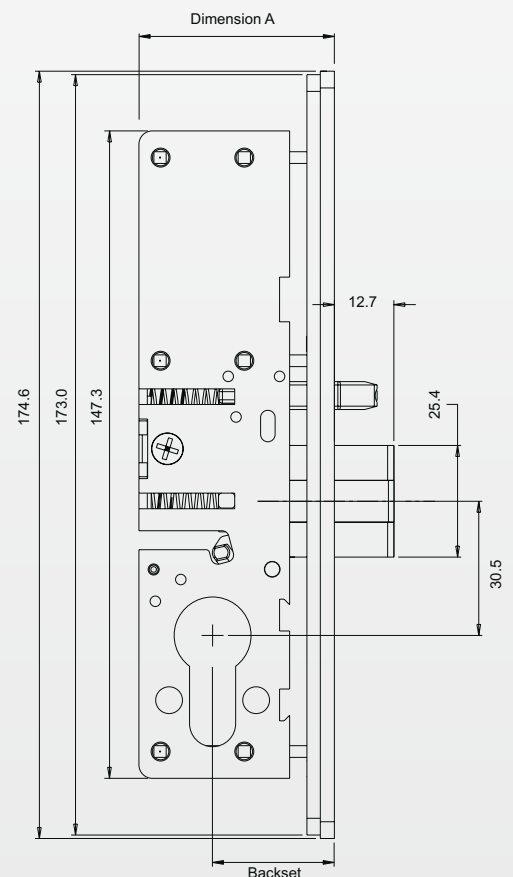
### Handing of doors for locks

The description of swinging door operation always viewed from the outside.

LH: Door hinges on left      RH: Door hinges on right



524570 Lock Type



### Features

- Standard keyways
- Range of finishes
- 1<sup>5</sup>/<sub>32</sub>" standard cylinder

Code	Description	For use with	Finish
<b>5228</b>	Round mortice cylinder keyed to differ	1820/1850/4510	Satin
<b>5228-TRIM</b>	Trim ring - round mortice cylinder		Satin
<b>5228X</b>	Round mortice cylinder - keyed to differ	To suit extended hardware	Satin
<b>5229</b>	Round mortice cylinder keyed to pass	1820/1850/4510	Satin
<b>5229X</b>	Round mortice cylinder - keys to pass 6 pack	To suit extended hardware	Satin
<b>5230</b>	Round mortice thumbturn	1820/1850/4510	Satin
<b>5231</b>	Round mortice cylinder guard	1820/1850/4510	Satin
<b>5241</b>	Pair of 5228 round mortice cylinders complete with 2 keys		Satin
<b>5242</b>	Round mortice cylinder - trim ring 1.5mm thick	5228/5229/5230	Satin
<b>5243</b>	Round mortice cylinder - trim ring 2.5mm thick	5228/5229/5230	Satin
<b>5244</b>	Round mortice cylinder - trim ring 3mm thick	5228/5229/5230	Satin
<b>5247</b>	Key blank	Round cylinders	

### Armoured Strikes - Features

- Armoured strike
- Increased jamb protection

Code	Description	For use with	Finish
<b>5212</b>	Armoured strike	220	N/A
<b>5213</b>	Armoured strike faceplate - Radius	220	N/A
<b>5213-FLAT</b>	Armoured strike faceplate - Flat	220	N/A

### Flushbolts - Features

- Die cast zinc alloy operation mechanism
- Available in Silver finish
- Complete with bolt guide
- Spring loaded floor sockets available on request
- Flat or radius profiles available

### Functionality

Flushbolts are used to facilitate the locking of the inactive leaf of a pair of aluminium, steel or timber doors. Complete with the necessary flushbolt guide and optional spring loaded floor sockets, the bolts allow both a secure and aesthetically pleasing locking solution.

Code	Description	Finish
<b>60FSAA</b>	Flat flushbolt - complete with guide	SAA
<b>60RSAA</b>	Radius flushbolt - complete with guide	SAA
<b>60FS</b>	Floor socket	N/A
<b>60BG</b>	Bolt guide	N/A



**5228 Round Mortice Cylinder**

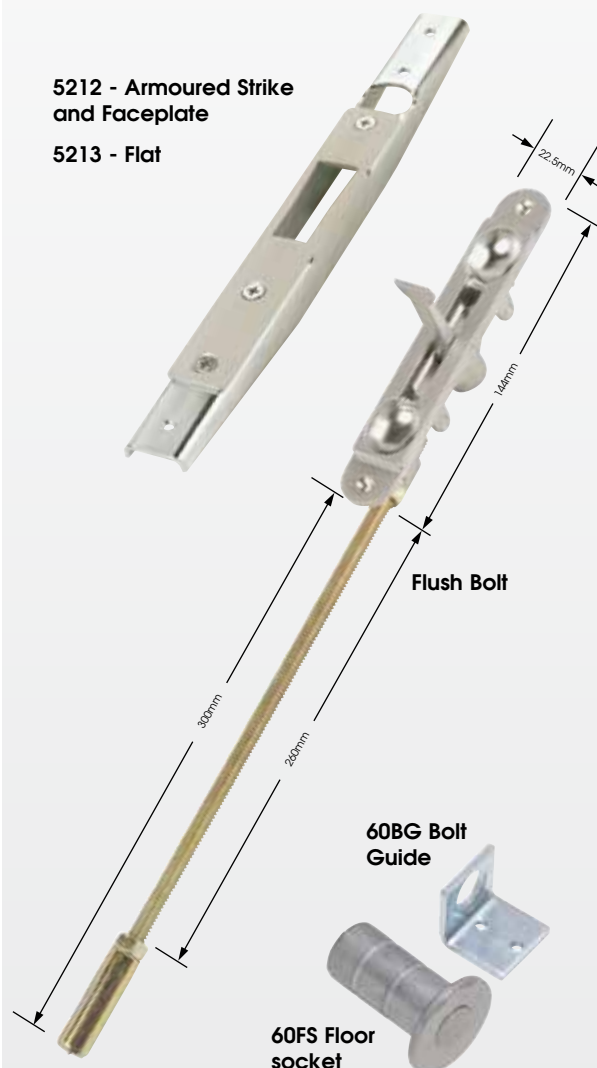
**5230 Round Mortice Thumbturn**



**5231 Round Mortice Cylinder Guard**

**5212 - Armoured Strike and Faceplate**

**5213 - Flat**



### Features

- Keyed alike and keyed different options available
- Dual and half profile

Code	Description	For use with	Finish
5210	Alpro key blank – Euro	Profile cylinders	N/A
5211	Lock mounting clips – per pair	All locks	N/A
5214	Double Europrofile cylinder 60mm – keyed to differ	4570/220/221	SAA
5216/KA1	Double Europrofile cylinder 60mm (KA Set 1) – keyed to pass	4570/220/221	SAA
5216/KA2	Double Europrofile cylinder 60mm (KA Set 2) – keyed to pass	4570/220/221	SAA
5217/KA1	17mm double Europrofile cylinder 70mm (KA Set 1) - keyed to pass	4570/220/221	SAA
5217/KA2	17mm double Europrofile cylinder 70mm (KA Set 2) - keyed to pass	4570/220/221	SAA
5218	Key and thumbturn Euro cylinder 60mm – keyed to differ	4570/220/221	SAA
5219	17mm key and thumbturn Europrofile cylinder 70mm – keyed to differ	4570/220/221	SAA
5220/KA1	Key and thumbturn Euro cylinder 60mm (KA Set 1) – keyed to pass	4570/220/221	SAA
5220/KA2	Key and thumbturn Euro cylinder 60mm (KA Set 2) – keyed to pass	4570/220/221	SAA
5221/KA1	17mm key and thumbturn Europrofile cylinder 70mm (KA Set 1) – keyed to pass	4570/220/221	SAA
5221/KA2	17mm key and thumbturn Europrofile cylinder 70mm (KA Set 2) – keyed to pass	4570/220/221	SAA
5222	Half Europrofile cylinder – keyed to differ	4570/220/221	SAA
5224/KA1	Half Europrofile cylinder (KA Set 1) – keyed to pass	4570/220/221	SAA
5224/KA2	Half Europrofile cylinder (KA Set 2) – keyed to pass	4570/220/221	SAA
5225	Double Europrofile cylinder 70mm 6 pin to differ complete with 3 keys	4570/220/221	SAA
5226	Self adhesive escutcheons	4570/220/221	SAA
5227	Self adhesive escutcheons	4570/220/221	Black
5258	Double cylinder 60mm - 1 pair – keyed to pass	4570/220/221	SAA
5259	Double cylinder including key and thumbturn 60mm 1 pair – keyed to pass	4570/220/221	SAA
5260	Key and thumbturn Euro cylinder 60mm 1 pair – keyed to pass	4570/220/221	SAA
5280	17mm double Europrofile cylinder 80mm - keyed to differ	4570/220/221	SAA
5280KA	17mm double Europrofile cylinder 80mm - keyed alike	4570/220/221	SAA
5280T	17mm key and thumbturn Europrofile cylinder 80mm - keyed to differ	4570/220/221	SAA
5280TKA	17mm key and thumbturn Europrofile cylinder 80mm - keyed alike	4570/220/221	SAA



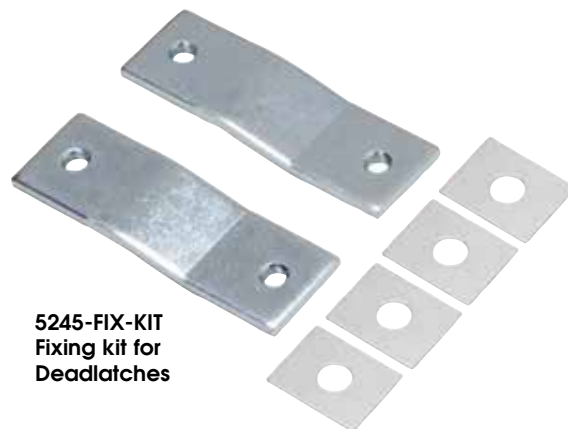
5214 EuroProfile Cylinder



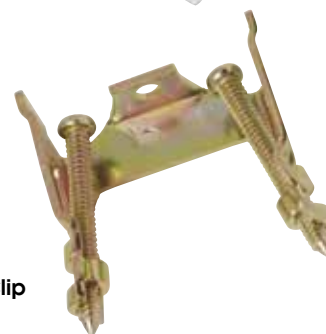
5218 Europrofile Cylinder and Thumbturn



5222 Half Profile Cylinder



5245-FIX-KIT  
Fixing kit for  
Deadlatches



5211 Lock Mounting Clip

# locks

## Faceplates

Alpro offer a range of faceplates for our Deadlocks and Deadlatches.

### Features

- These are available in flat, radius and weather strip versions.
- Faceplate finish – SAA

Code	Description
------	-------------

For use with Europrofile Deadlocks - Type 52220 page 10

**52FP221** Flat faceplate – bar bolt W 25 x H 197mm

**52FP222** Flat faceplate – hook lock only W 25 x H 197mm

**52FP225** Radius faceplate – hook lock only W 25 x H 197mm

**52FP228** Radius faceplate with weather strip W 25 x H 197mm

Code	Description
------	-------------

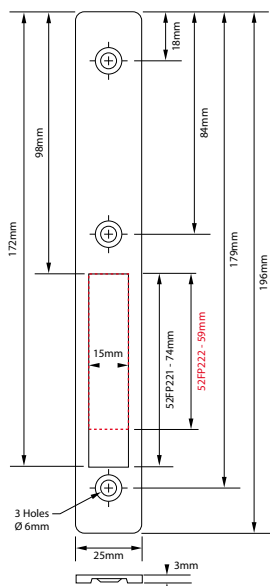
For use with Round Mortice Cylinder Deadlocks – Type 52185 page 9

**52FP1851** Flat faceplate W 25 x H 174mm

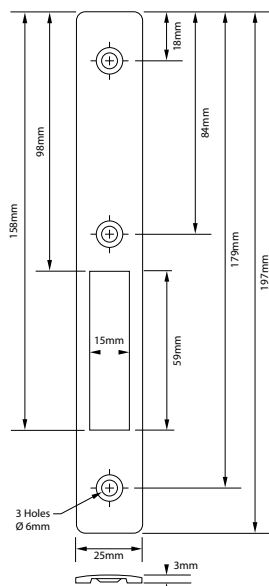
**52FP1852** Radius faceplate W 25 x H 174mm

**52FP1853** Radius faceplate with weather strip W 25 x H 174mm

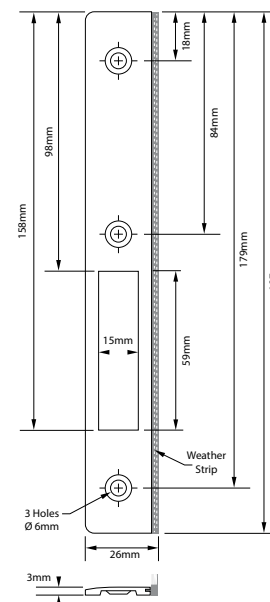
**52FP221 & 52FP222 (dimensions red)**



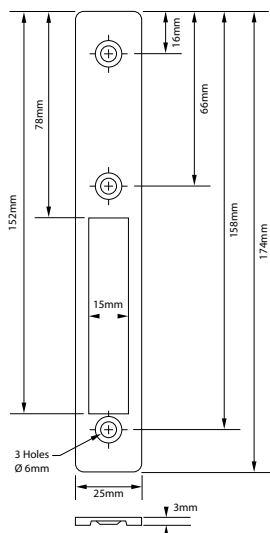
**52FP225**



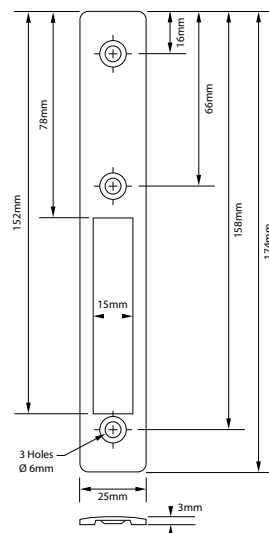
**52FP228**



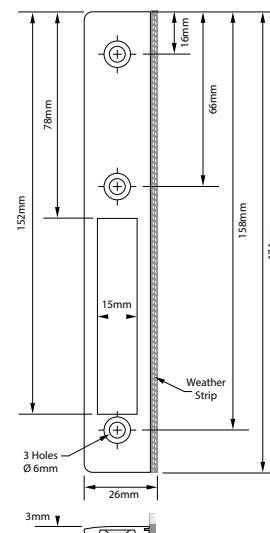
**52FP1851**



**52FP1852**



**52FP1853**



Code Description

For use with Round Mortice Cylinder Deadlocks -  
Type 52182 page 8

**52FP1821** Flat faceplate W 25 x H 174mm

**52FP1822** Radius faceplate W 25 x H 174mm

**52FP1823** Radius faceplate with weather strip W 25 x H 174mm

Code Description

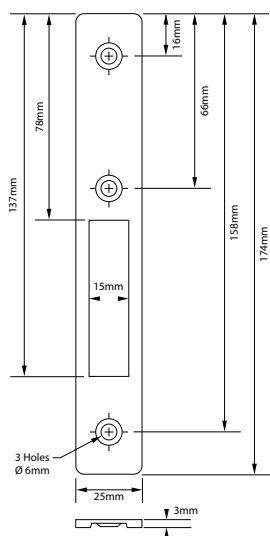
For use with Europrofile Cylinder Deadlatches -  
Type 524510 page 11 & Type 524570 page 12

**52FP4511** Flat faceplate W 25 x H 175mm

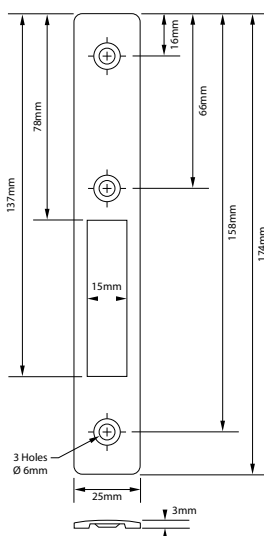
**52FP4512** Radius faceplate W 25 x H 175mm

**52FP4513** Radius faceplate with weather strip W 25 x H 175mm

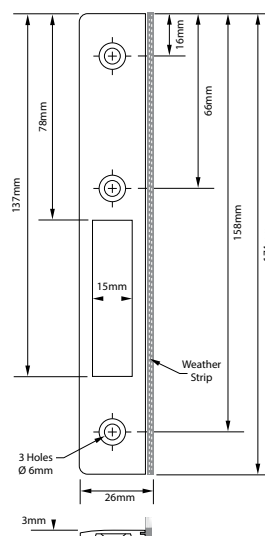
**52FP1821**



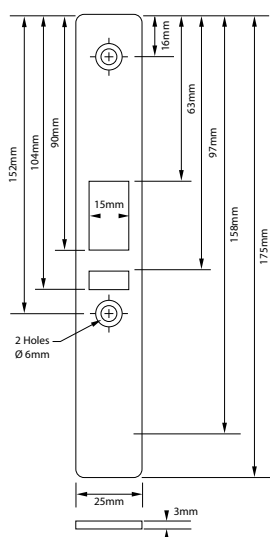
**52FP1822**



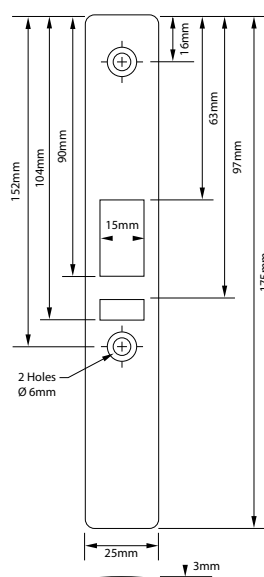
**52FP1823**



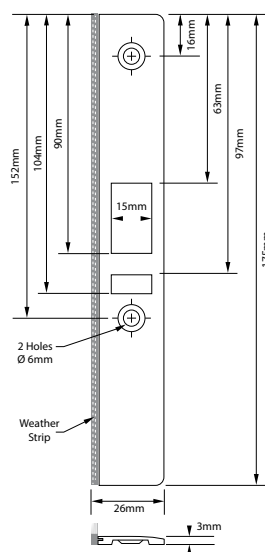
**52FP4511**



**52FP4512**



**52FP4513**



# handles

## Paddle Handles



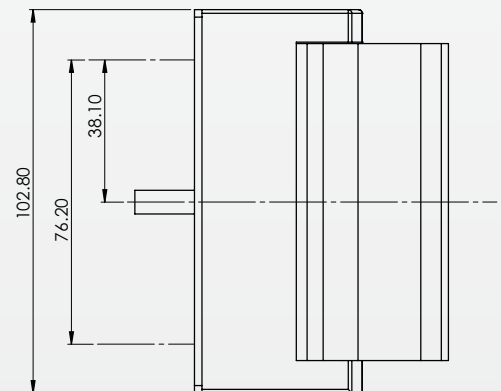
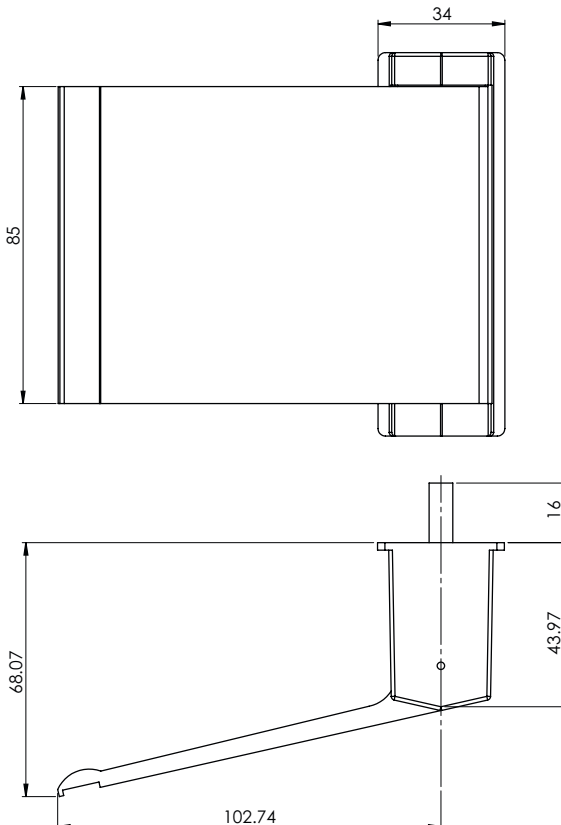
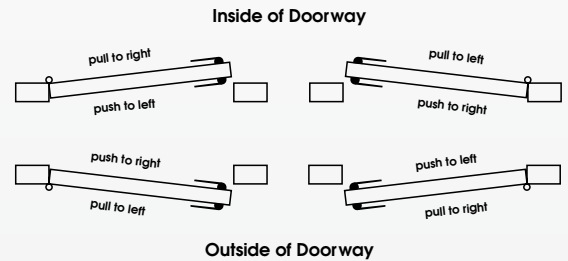
### Features

- Paddle handle for use with deadlatches
- Suit 44mm thick doors
- Extended spindle suits 67mm thick doors
- Cam plug non-handed. Reversible in the field

### Functionality

Designed to be ergonomically friendly and practical. Coming complete with cam plug enables the handles to be used in conjunction with the 524510 deadlatch range of locks.

Code	Description	For use with	Finish
524591	Paddle handle complete with cam plug pull to left	4510	SAA
524591X	Paddle handle complete with extended cam plug pull and spindle pull to left	4510	SAA
524592	Paddle handle complete with cam plug push to left	4510	SAA
524592X	Paddle handle complete with extended cam plug pull and spindle push to left	4510	SAA
524597	Paddle handle complete with cam plug pull to right	4510	SAA
524597X	Paddle handle complete with extended cam plug pull and spindle pull to right	4510	SAA
524598	Paddle handle complete with cam plug push to right	4510	SAA
524598X	Paddle handle complete with extended cam plug pull and spindle push to right	4510	SAA



### Features

- Suit 44mm thick doors
- Extended spindle suits 67mm thick doors
- Cam plug non-handed. Reversible in the field
- Suitable for aluminium and steel doors

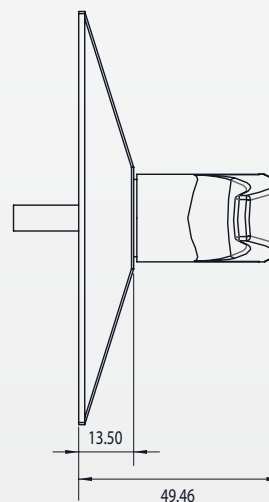
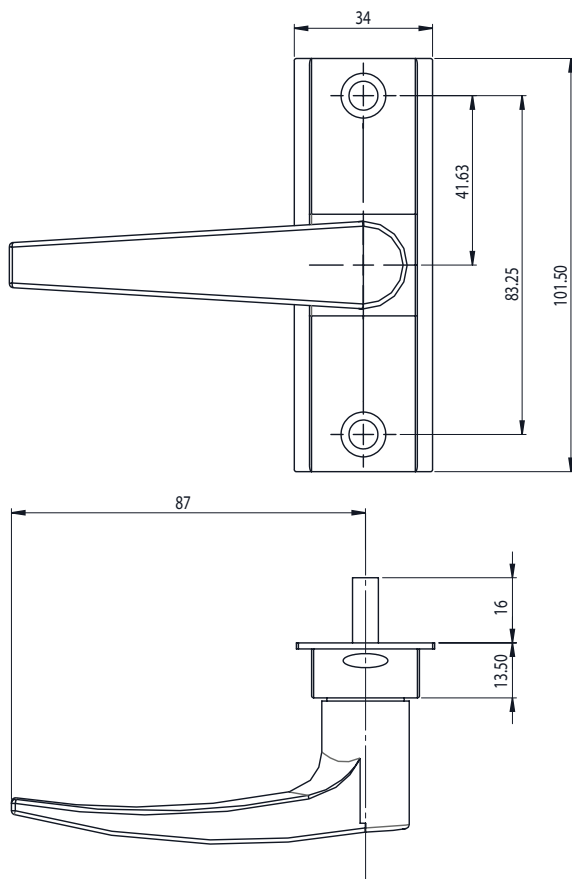
### Functionality

456 lever handles are designed to be ergonomically friendly and practical.

Coming complete with cam plug enables the lever handles to be used in conjunction with the 524510 deadlatch range of locks.



Code	Description	For use with	Finish
<b>5245601</b>	Lever handle complete with cam plug (RH)	4510	SAA
<b>5245601X</b>	Lever handle complete with cam plug and spindle (RH)	4510	SAA
<b>5245602</b>	Lever handle complete with cam plug (LH)	4510	SAA
<b>5245602X</b>	Lever handle complete with cam plug and spindle (LH)	4510	SAA
<b>HP4560-EXT-RH</b>	Extended cam plug - RH		N/A
<b>HP4560-EXT-LH</b>	Extended cam plug - LH		N/A
<b>HP4560-LH</b>	Cam plug - LH		N/A
<b>HP4560-RH</b>	Cam plug - RH		N/A







# other products

## Door Handles

Alpro door handles are bold and modern in appearance and practical in everyday use.

- Aluminium, timber and glass door applications
- Made from stainless steel and aluminium with powder and nylon coated versions to RAL colours
- Wide range of styles and finishes
- Many sizes available from stock or within a few days



## Access Control

Alpro also offer a comprehensive range of high quality, high security access control products to suit even the most demanding of situations.

The range includes:

- Electric Strikes
- Solenoid Bolts
- Deadlocking Bolts
- Infrared Proximity Switches
- Compact Shearlocks
- Vortex Magnets
- Cabinet Locks
- Waterproof Keypads
- Waterproof Exit Switches
- Interlock Controllers
- Power Supply Units



# Our difference...



We are a family owned company founded in 1938 to supply quality mechanical components. Today we serve a broad band of industry with a wide range of quality products.

These are manufactured by companies of international repute who are each specialists in their own field.

We are approved to BS EN ISO 9001:2008.

*We aim to provide the best in both products and service*

- Experienced informative staff give fast, effective and friendly service.
- Technical support nationwide.
- Competitive and cost effective solutions.
- CAD design facility.
- Large stocks - same day despatch - Kanban and JIT deliveries.
- Modern technology combined with people.
- Listen, communicate - no surprises!
- Think long term - everlasting customers.



# alpro<sup>®</sup>... *the team that cares*

## *Integrity • Expertise • Commitment*

**IEC Limited**, Harwell Road, Nuffield Estate, Poole, Dorset BH17 0BD Great Britain

Registered in England 1925537

02/2018



**T** 01202 676262  
**F** 01202 680101  
**E** info@alpro.co.uk  
**W** www.alpro.co.uk