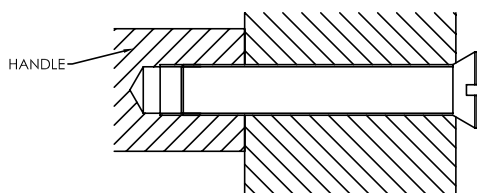


# pull handles

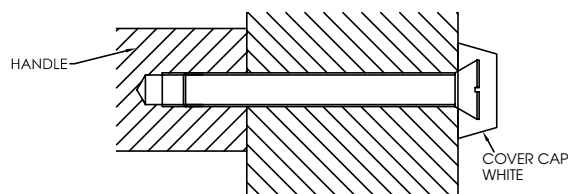
## Fixing information

All Alpro handles are supplied with their own dedicated fixing packs, which suit all the possible door materials available. Full fixing and maintenance instructions are included in the handle kits, to ensure the correct methodology is employed when fixing the handles. In the event of the fixing kits being mislaid or broken, replacement kits are available by contacting the Alpro sales office on 01202 676262 and specifying the necessary requirements.



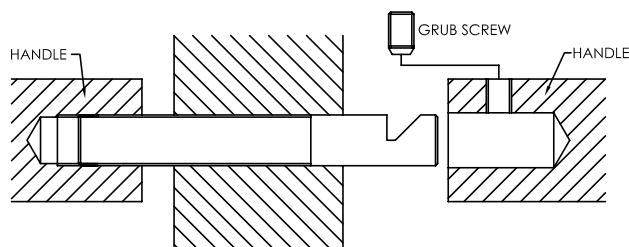
### F17

39-54mm thick doors  
For 32mm Ø Impressionist handles  
For 25, 32 & 38mm Ø Functional 98 series handles  
M12-70mm countersunk



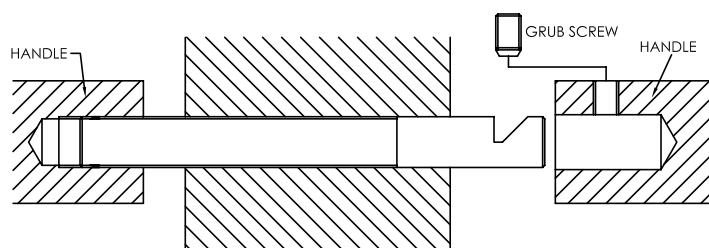
### F18

55-85mm thick doors  
or 32mm Ø Impressionist handles  
For 25, 32 & 38mm Ø Functional 98 series handles  
M12-90mm countersunk  
For black cover cap - F18BLACK



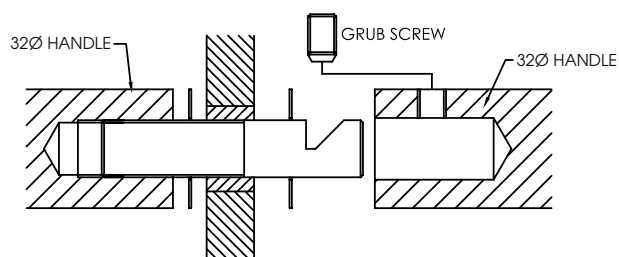
### F19

39-54mm thick doors  
or 32mm Ø Impressionist handles  
For 25, 32 & 38mm Ø Functional 98 series handles  
M12-90mm with M6 grub screw



### F20

55-85mm thick doors  
or 32mm Ø Impressionist handles  
For 25, 32 & 38mm Ø Functional 98 series handles  
M12-120mm with M6 grub screw

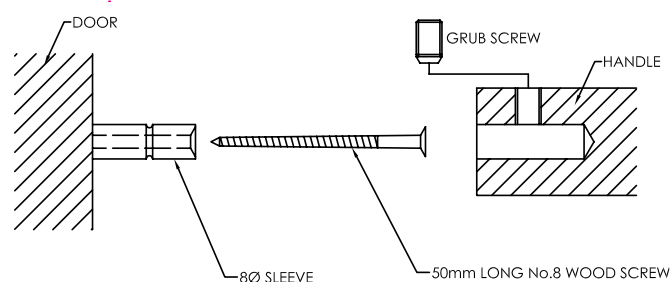


### F21

Glass doors  
For 32mm Ø Impressionist handles  
For 25, 32 & 38mm Ø Functional 98 series handles  
M12-55.5mm with M6 grub screw

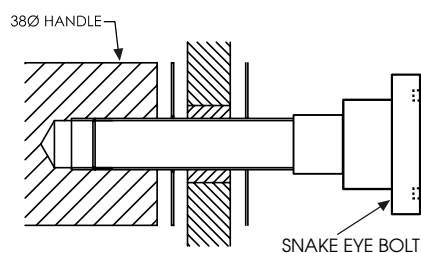
# pull handles

## Fixing information



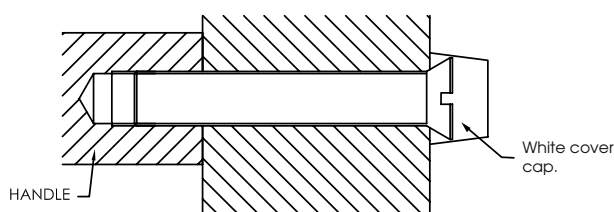
### F22 Secret fixing

For fixing to a wooden door 25mm deep  
 For 32mm Ø Impressionist handles  
 NB - Use these fixings for timber doors only  
 (This fixing is not recommended on Aluminium doors)



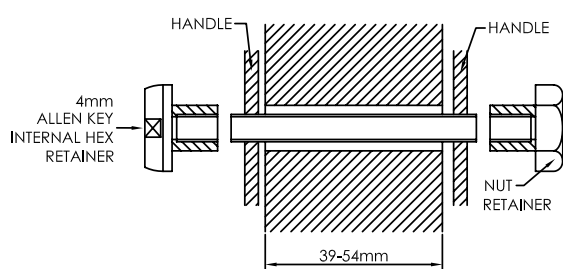
### F25.2KIT

Glass doors (Single side)  
 For Impressionist handles  
 For Functional 98 series - single side glass fixing  
 2 x 90mm XM12 bolts  
 Snake eye fixing 25mm head x 5mm thick



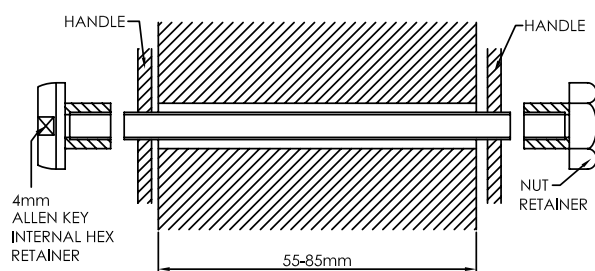
### F26

39-54mm thick doors  
 For 32mm Ø Impressionist handles  
 For 25, 32 & 38mm Ø Functional 98 series handles  
 M12-70mm countersunk with dome cap  
 NB - Cover cap is available in black on request



### F27

10mm Ø clearance hole required  
 For Functional 97 Series handles  
 \*Suitable for back to back pairs and single handles

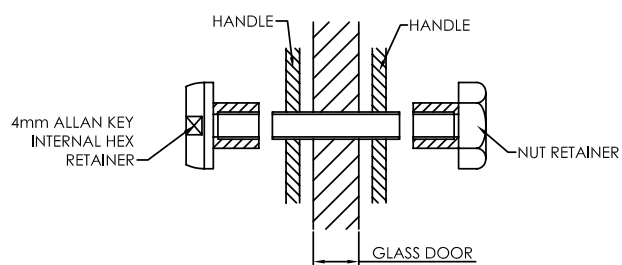


### F28

10mm Ø clearance hole required  
 For Functional 97 Series handles  
 \*Suitable for back to back pairs and single handles

# pull handles

## Fixing information

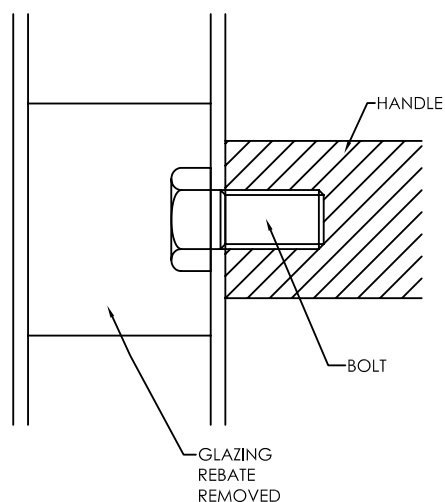


### F29

Minimum 11.5mm  $\varnothing$  clearance hole required, maximum 12mm

For Functional 97 Series handles

\*Suitable for back to back pairs and single handles



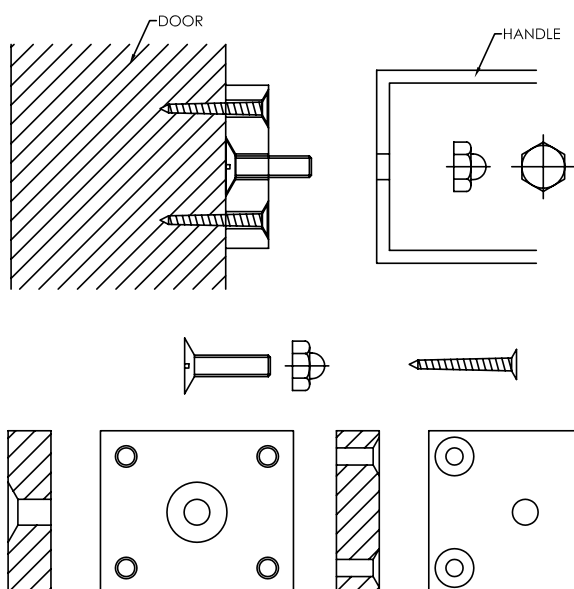
### F34

M12 fixings

For 32mm  $\varnothing$  Impressionist handles

For 25, 32 & 38mm  $\varnothing$  Functional 98 series handles

M12 x 25mm long hexagon headed bolt grade 8.8.



### F38

For Functional 97 Series handles only

M6 x 20mm long countersunk bolt and 4 off No. 8 x 25 long wood screws

### HOLE SIZES FOR FIXING THROUGH:

For M12 fixing - Wood & Aluminium = 13mm  $\varnothing$

For M12 fixing - Glass = 18mm  $\varnothing$