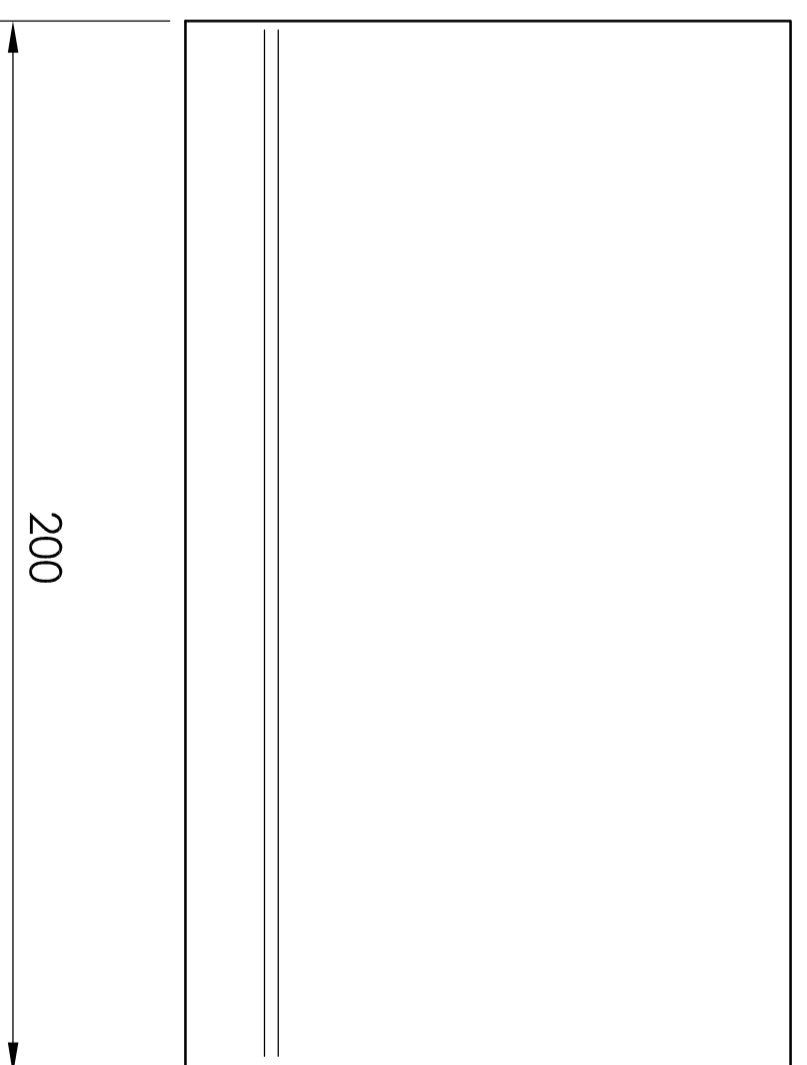
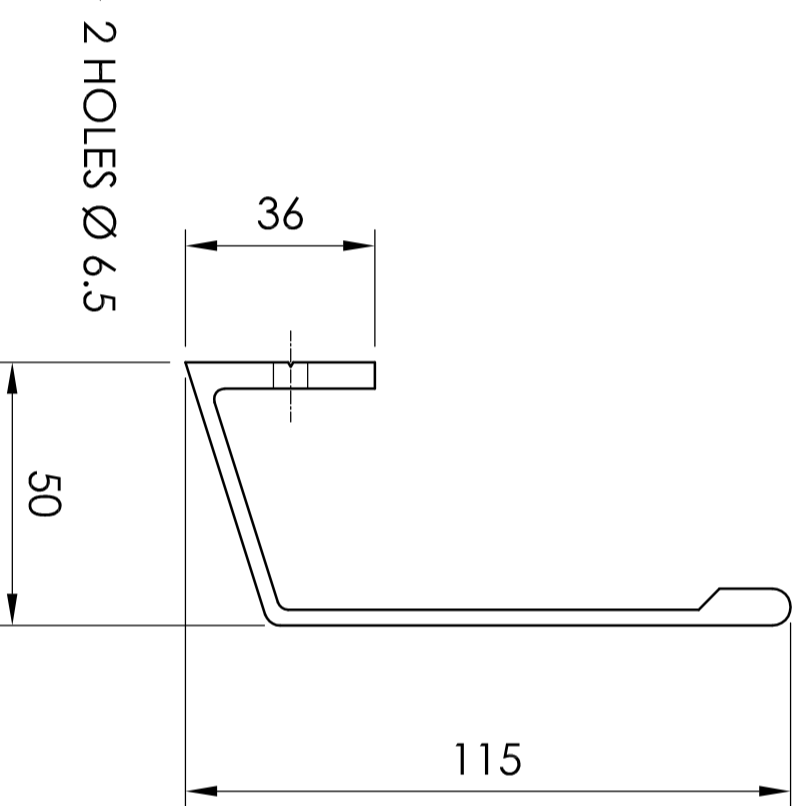
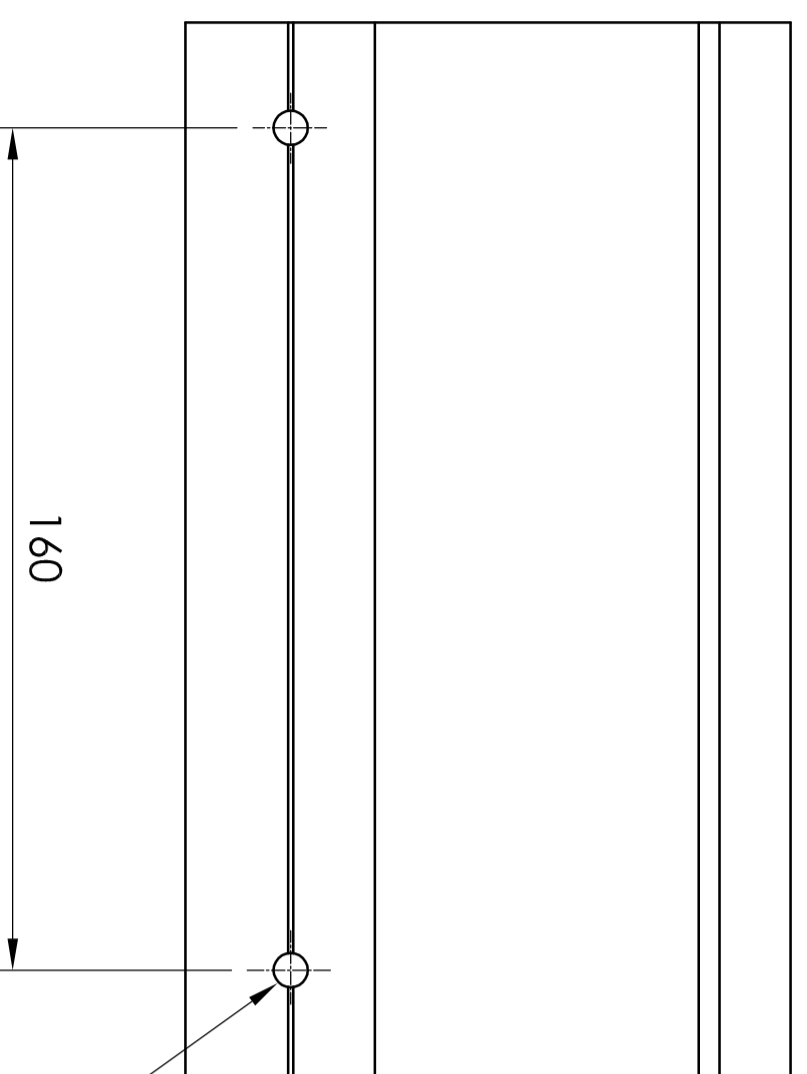


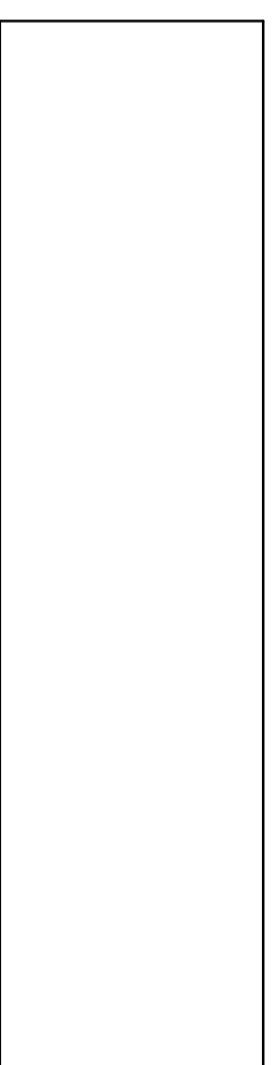


THIRD ANGLE PROJECTION

RevNo	Revision note	Date	Signature	Checked
-------	---------------	------	-----------	---------



MATERIAL SPECIFICATION: ALUMINIUM 6063T4
 AVAILABLE AS SINGLES OR
 BACK TO BACK AS PAIRS
 MILL = MILL FINISH
 SAA = SATIN ANODISED ALUMINIUM
 PC = POWDER COATED } AVAILABLE IN
 NC = NYLON COATED } ANY RAL. COLOUR



Item ref	Quantity	Title/Name, designation, material, dimension etc		Article No./Reference
Designed by	IG	Checked by	Approved by - date	File name FUNCTIONAL 99-332
				Date 27/04/12

alpro

A DIVISION OF:-
 INTERNATIONAL ENGINEERING COMPANY LTD.
 HARVELL ROAD, NUFFIELD ESTATE
 POOLE BH17 0BD TEL. 01202 676272
 FAX. 01202 680101. INFO@IECLTD.CO.UK
 WWW.IECLTD.CO.UK

FUNCTIONAL 99 SERIES

99 - 332 Issue A Sheet 1/1

F

E

D

C

B

A

F

E

D

C

B

A

