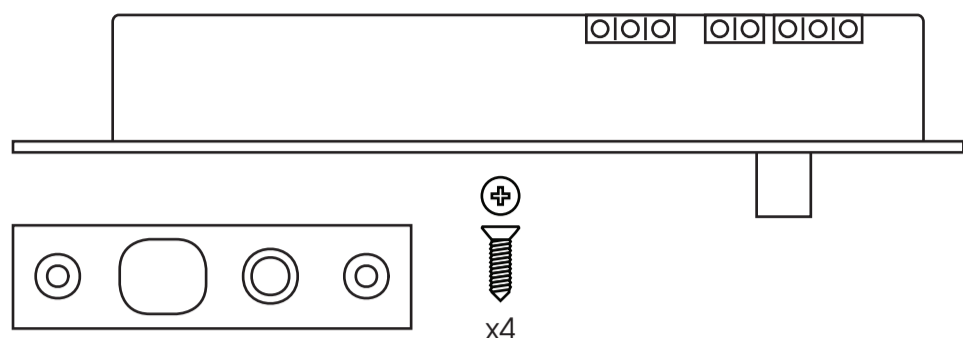


**PACK CONTENTS**



**Read all instructions before starting installation**

**Installation**

**1 Fitting and alignment**

The bolt can be installed in a vertical or horizontal position fitted into the frame or door leaf

**Ensure that**

The top end of the strike plate must be aligned with the top of the lock so the bolt pin goes centrally into the hole in the strike plate.

The hole behind the strike plate is deep enough and clear of debris to take the full throw of the bolt

The bolt does not rub or catch while in motion as it may not lock / unlock

**DO NOT** - Fit bolt in floor firing upwards

**2 Power supply**

**Ensure that**

2 amp PSU is used per bolt

Place the PSU as near as possible to the bolt

**DO NOT** - use AC transformer and rectifier due to power loss

**3 CABLE**

**Ensure that**

Connections are made with stranded alarm cable  
Allow extra cores to double/treble the cable should reduced voltage occur at bolt because of distance from bolt to PSU

**DO NOT** - use solid telephone cabling for connections

**4 Controlling the bolt**

There is a preferred 3 wire full function, and a reduced 2 wire function. Features are opposite, full wiring details are overleaf.

**3 Wire** function requires permanent power to the bolt, and a positive pulse across the control terminal (2) to operate the bolt.

**2 Wire** function operates in a similar way to a normal electric locking device. Using 2 wire function loses the benefit of the built-in access control functions of 3 wire set-up.

**Features**

	3 Wire Function	2 Wire Function
Multiple Unlock (PTO only)	✓ 5x	✗
9 Second Unlock	✓	✗
Anti-Tailgate	✓	✗
Auto-Relock	✓	✓
Multiple Re-Lock (PTL only)	✓ 9x	✓ 5x
Electrical Override	✓	✗
Anti Tamper	✓	✓

Current Draw	Activating Current	Holding Current (After 200ms)
12v DC	1400mA	260mA
13.8v DC	1600mA	220mA
24v DC	1100mA	105mA
27.6v DC	1250mA	90mA

**Terminal Connections**

The DB38 has a multiple voltage input from 12vDC -10% to 24vDC +15%

Built-in transient and reverse polarity protection

1	+	<b>Positive Power Input</b>	
2	C	<b>Control Wire (Do Not Confuse With Common)</b>	
3	-	<b>Negative Power Input</b>	
4	NO	<b>Door Position Switch</b>	- <b>Normally Open</b>
5	C	<b>Door Position Switch</b>	- <b>Common</b>
6	C	<b>Bolt Position Switch</b>	- <b>Common</b>
7	NO	<b>Bolt Position Switch</b>	- <b>Normally Open</b>
8	NC	<b>Bolt Position Switch</b>	- <b>Normally Closed</b>

In addition to running the necessary wires for the desired mode, positioning the three dip switches located on the lock printed circuit board determines the operation. These are accessed by removing the cover.

**Switches S1** and **S2** are used to set the timed re-lock. If an unlock signal is given to the lock but the door is not opened the DB38 can automatically lock itself again after a selected time. This ensures that a door cannot be left unsecured if it has been unlocked but not opened. The timer is factory set to 9 seconds but 0, 3 and 6 second options are offered and selected by positioning the dip switches accordingly.

TIMER	SWITCH POSITIONS
0 second timed re-lock	S1 ON and S2 ON
3 second timed re-lock	S1 OFF and S2 ON
6 second timed re-lock	S1 ON and S2 OFF
9 second timed re-lock	S1 OFF and S2 OFF

**Switches M** is used to select fail safe or fail secure mode. This is factory set as ordered and the **only time** it will need to be moved is when operating a fail safe lock in the two wire mode.

*Markings S1, S2 and M are found on the printed circuit board.*

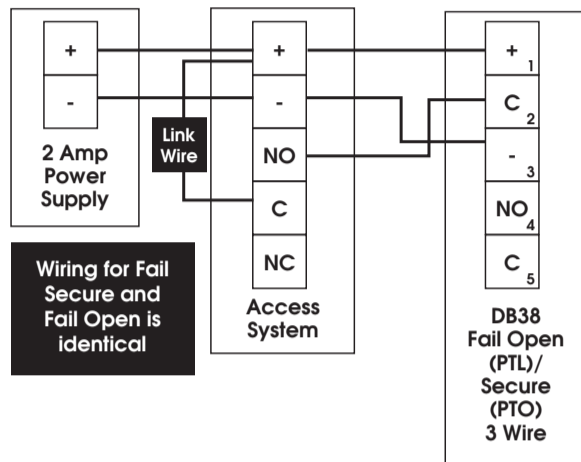
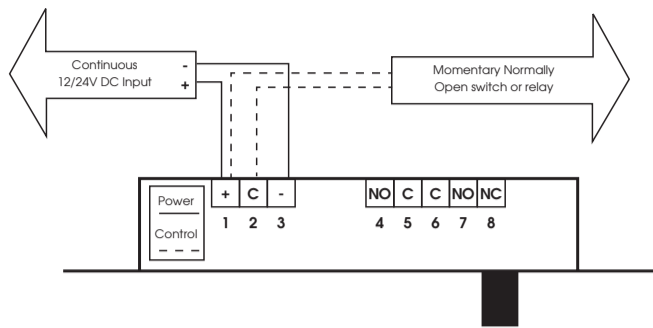
Read all instructions before starting installation

**3 Wire Function**

**Fail Open (PTL) or Fail Secure (PTO)**

**Connections**

This method will require a permanent power feed across terminals 1 & 3.



Wiring for Fail Secure and Fail Open is identical

**Operation**

After the initial 8 seconds when the bolt is first powered up, the bolt will lock (Fail Open - PTL) or stay locked (Fail Secure - PTO) as long as the door is closed with the strike plate correctly aligned.

A short pulse between terminals 1 & 2 will unlock the bolt. The bolt will lock as soon as the door is closed. If the door is not opened the bolt will relock after 8 seconds.

Apply a pulse between terminals 1 & 2 of longer than 8 seconds and the bolt will relock as soon as the pulse times out and the door is closed.

**Monitoring Connections**

The DB38 has dual monitoring as standard.

**Door Position Switch (DPS)** - Terminals 4 & 5 has a maximum rating of 100v AC/DC @ 300mA

**Bolt Position Switch (BPS)** - Terminals 6, 7 & 8 has a maximum rating of 125v AC @ 3A, 30v DC @ 500mA

DPS is triggered by the circular magnet on the strike plate lining up correctly with the 'M' on the bolt faceplate.

**NB. If you connect the fail open bolt using the 2 wire method you lose the DPS as it has been used to control the bolt.**

BPS is triggered by the bolt engaging fully in the locked or unlocked position.

**Lubrication**

This product is lubricated for life.

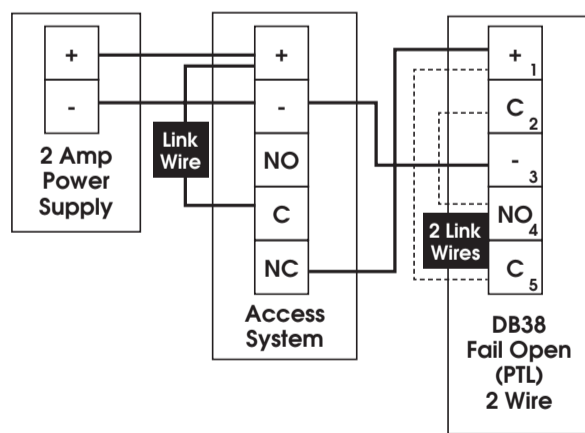
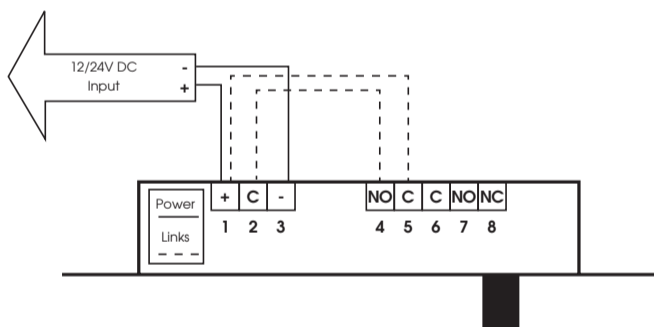
**Additional lubrication of any kind voids our warranty.**

**2 Wire Function**

**Fail Open (PTL)**

**Connections**

This method will require a switched on/off power feed across terminals 1 & 3



**Operation**

This bolt will be unlocked without power applied and will lock when the correct voltage is applied as long as the door is closed with the strike plate correctly aligned.

**Switch**

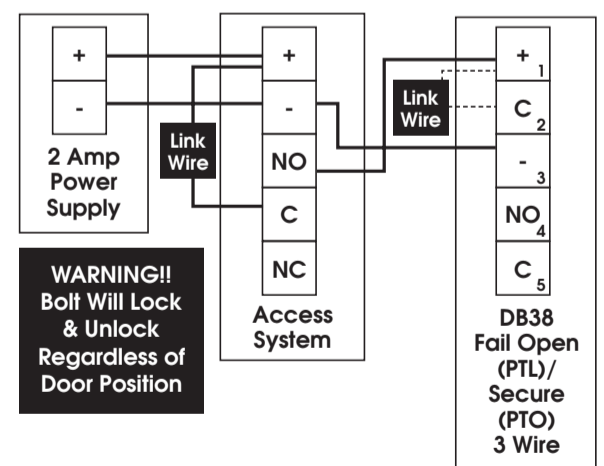
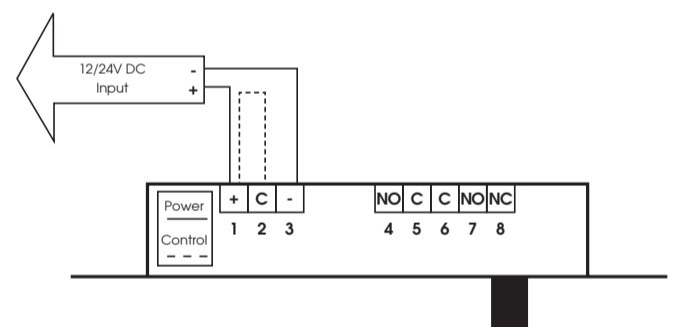
Move the internal switch M to ON.

**2 Wire Function**

**Fail Secure (PTO)**

**Connections**

This method will require a switched on/off power feed across terminals 1 & 3



**WARNING!! Bolt Will Lock & Unlock Regardless of Door Position**

**Operation**

This bolt will be locked without power applied and will be unlocked when the correct voltage is applied. When the power is removed the bolt will lock regardless of the door position, the application of this configuration should be used with caution.